

DESIGN FIRST.

At
the
na
—

fit interiors

Index

APVo4	4
APVo8	5
APV10	6
APV12	7
APV14	8
APV16	9
APV15	10
APV20	11
APVCHNW	12
APVCHPW	13

Numbers	14
Locks	15
Accessories	17

Athena

System composed by column and wall-hung lockers, helmet storage and safe deposit lockers

Options

- Door in MFC panel in various finishes (see The Swatch Book)
- Internal structure in two colors: anthracite or cashmere

Door

Finishes



THE SWATCH BOOK

Structure

Finishes



Anthracite



Cashmere

Included equipment



Padlock system



Number made of PVC

Key for optionals on request

01

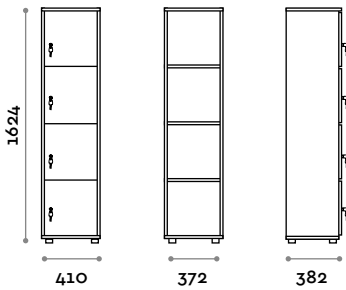
- Numbers
(excluded: ACCNUI and ACCTAI.
Replacing standard equipment)



- Locks
(replacing standard equipment)



- USB socket



APV04

Helmet storage with 4 doors

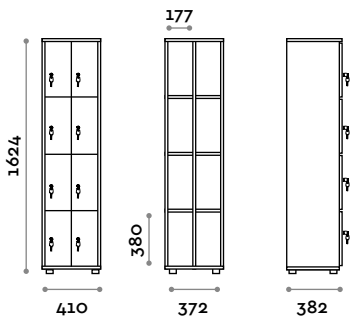
- Doors and structure in 18 mm thick MFC panels
- ABS edging with polyurethane glue
- Hinges certified for 80.000 opening cycles
- Door 110° opening angle
- Number made of PVC with Fit Interiors logo
- Padlock system

Dimensions

W 410 mm / D 382 mm / H 1624 mm

Optional upon request





APV08

Safe deposit locker with 8 doors

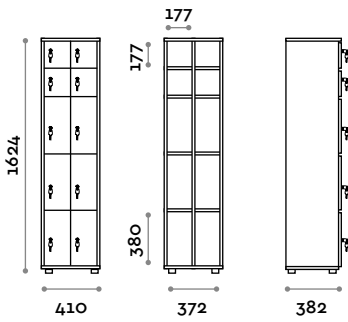
- Doors and structure in 18 mm thick MFC panels
- ABS edging with polyurethane glue
- Hinges certified for 80.000 opening cycles
- Door 110° opening angle
- Number made of PVC with Fit Interiors logo
- Padlock system

Dimensions

W 410 mm / D 382 mm / H 1624 mm

Optional upon request





APV10

Safe deposit locker with 10 doors

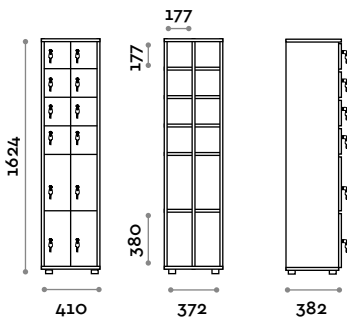
- Doors and structure in 18 mm thick MFC panels
- ABS edging with polyurethane glue
- Hinges certified for 80.000 opening cycles
- Door 110° opening angle
- Number made of PVC with Fit Interiors logo
- Padlock system

Dimensions

W 410 mm / D 382 mm / H 1624 mm

Optional upon request





APV12

Safe deposit locker with 12 doors

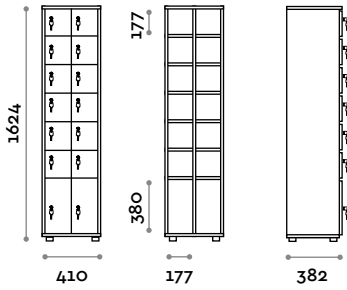
- Doors and structure in 18 mm thick MFC panels
- ABS edging with polyurethane glue
- Hinges certified for 80.000 opening cycles
- Door 110° opening angle
- Number made of PVC with Fit Interiors logo
- Padlock system

Dimensions

W 410 mm / D 382 mm / H 1624 mm

Optional upon request





APV14

Safe deposit locker with 14 doors

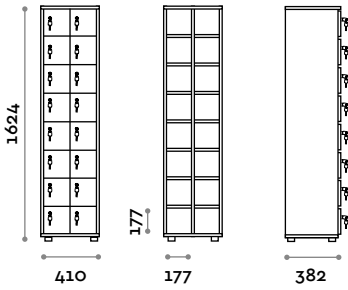
- Doors and structure in 18 mm thick MFC panels
- ABS edging with polyurethane glue
- Hinges certified for 80.000 opening cycles
- Door 110° opening angle
- Number made of PVC with Fit Interiors logo
- Padlock system

Dimensions

W 410 mm / D 382 mm / H 1624 mm

Optional upon request





APV16

Safe deposit locker with 16 doors

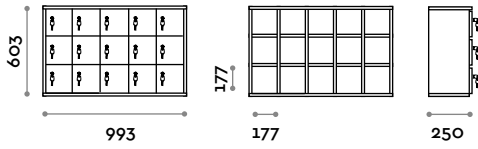
- Doors and structure in 18 mm thick MFC panels
- ABS edging with polyurethane glue
- Hinges certified for 80.000 opening cycles
- Door 110° opening angle
- Number made of PVC with Fit Interiors logo
- Padlock system

Dimensions

W 410 mm / D 382 mm / H 1624 mm

Optional upon request





APV15

Wall mounted safe deposit locker with 15 doors

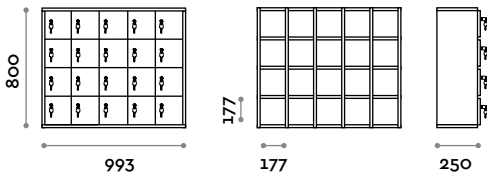
- Doors and structure in 18 mm thick MFC panels
- ABS edging with polyurethane glue
- Hinges certified for 80.000 opening cycles
- Door 110° opening angle
- Number made of PVC with Fit Interiors logo
- Padlock system

Dimensions

W 993 mm / D 250 mm / H 603 mm

Optional upon request





APV20

Wall mounted safe deposit locker with 20 doors

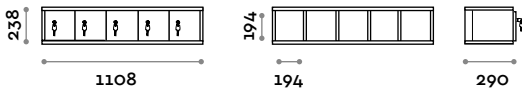
- Doors and structure in 18 mm thick MFC panels
- ABS edging with polyurethane glue
- Hinges certified for 80.000 opening cycles
- Door 110° opening angle
- Number made of PVC with Fit Interiors logo
- Padlock system

Dimensions

W 993 mm / D 250 mm / H 800 mm

Optional upon request





APVCHNW

Wall mounted 5 bay phone charging locker

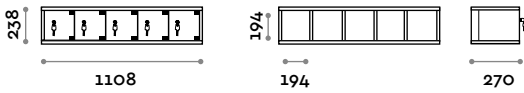
- Doors and structure in 18 mm thick MFC panels
- ABS edging with polyurethane glue
- Hinges certified for 80.000 opening cycles
- Door 110° opening angle
- Number made of PVC with Fit Interiors logo
- Padlock system
- 1 device for each compartment
- Cable and power supply included

Dimensions

W 1108 mm / D 290 mm / H 238 mm

Optional upon request





APVCHPW

Wall mount 5 bay phone charging locker with clear plexiglas doors

- Structure in 18 mm thick MFC panels
- ABS edging with polyurethane glue
- Pivot hinges with 165° opening angle
- Number made of PVC with Fit Interiors logo
- Padlock system
- 1 device for each compartment
- Cable and power supply included

Dimensions

W 1108 mm / D 270 mm / H 238 mm

Optional upon request



Numbers



ACCIND

Perforated number on a stainless steel plate

- Fixing with screws
- Replacing standard equipment

Dimensions

W 62 mm / H 20 mm



ACCRES1

Large resin-coated adhesive number, yellow and black

- With black Fit Interiors logo
- Replacing standard equipment

Dimensions

W 90 mm / H 90 mm



ACCRES2

Large resin-coated adhesive number, black and white

- With red Fit Interiors logo
- Replacing standard equipment

Dimensions

W 90 mm / H 90 mm



ACCRES3

Large resin-coated adhesive number, red and white

- With black Fit Interiors logo
- Replacing standard equipment

Dimensions

W 90 mm / H 90 mm

Locks

Mechanical combination lock



ACCHIAVE

Key lock

- 2 keys included plus numbered key fob
- Replacing standard equipment



ACCDKDI

Mechanical combination lock DIAL

- Replacing standard equipment



ACCCOMBI

Mechanical combination lock with handle

- Combi Lock
- Replacing standard equipment



ACCKEYLESS

Mechanical combination lock P1

- Satin nickel
- Replacing standard equipment



ACCKEYLESS1

Mechanical combination lock P1

- Satin gold
- Replacing standard equipment



ACCKEYLESS2

Mechanical combination lock P1

- Matte black
- Replacing standard equipment



ACCKEYLESS3

Mechanical combination lock P1

- Matte white
- Replacing standard equipment

Digital lock with battery



ACCAXSTD

Axis standard with integrated handle

- Digilock digital lock
- Replacing standard equipment



ACCAXVER

Axis vertical with integrated handle

- Digilock digital lock
- Replacing standard equipment



ACCDLKN

Next Cue with keypad

- Digilock digital lock
- Replacing standard equipment



ACCDKSO

Sola3 with handle

- Digilock digital/mechanical lock
- Replacing standard equipment

Proximity lock



ACCGAT

Mod. 7010

- Batteries and boltset included
- Replacing standard equipment



ACCDLKNRFID

Next Cue

- Digilock proximity lock
- Replacing standard equipment



ACCAXSTDRFID

Axis standard with integrated handle

- Digilock proximity lock
- Replacing standard equipment



ACCAXVERRFID

Axis vertical with integrated handle

- Digilock proximity lock
- Replacing standard equipment



ACCOJPRO

OTS Basic

- Ojmar RFID lock
- With battery included
- Replacing standard equipment

Accessories



ACCUSB

Built-in USB socket

- 5V complete with power supply 100-240 V; 50-60 Hz - IP20

follow us



**fit
interiors**

**furniture for gyms,
health and golf clubs,
spa&wellness, hotel,
medical and corporate**

visit www.fitinteriors.com