

DESIGN FIRST.

—
na lu

fit interiors

fit interiors — designed and produced in italy

Luna

Seat with small backrest in eco-leather

Seat

Eco-leather



THE SWATCH BOOK



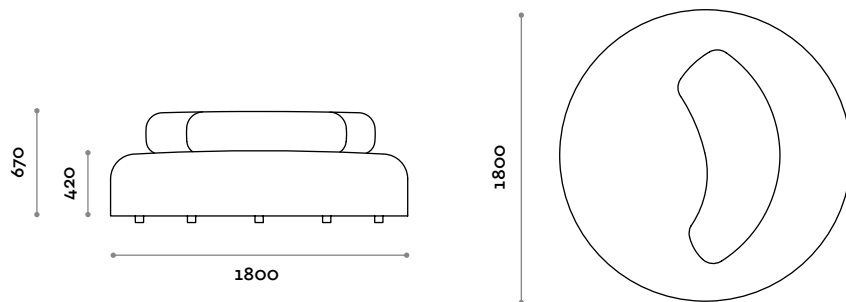
LUNA

Seat with small backrest in eco-leather

- Fire-retardant eco-leather upholstery (UNI 9175 class 1IM certification)

Dimensions

ø 1800 mm / H 420-665 mm



follow us



**fit
interiors**

**furniture for gyms,
health and golf clubs,
spa&wellness, hotel,
medical and corporate**

visit www.fitinteriors.com